

Product information presented here reflects conditions at time of publication. Consult factory regarding discrepancies or inconsistencies.

**PUMP COMPANY**

Zoeller Family of Water Solutions™

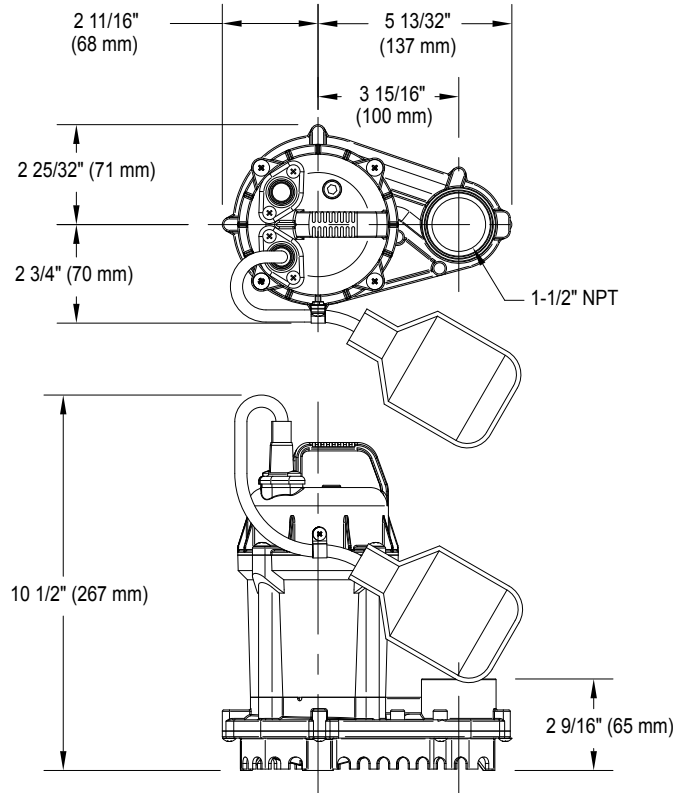
TECHNICAL DATA SHEET



**Model 49 Cast Iron Submersible Sump Pump**

**PRODUCT SPECIFICATIONS**

<b>MOTOR</b>	Horse Power	1/4
	Voltage	115
	Phase	1 Ph
	Hertz	60 Hz
	RPM	3450
	Type	Permanent split capacitor
	Insulation	Class B
	Amps	4.0
<b>PUMP</b>	Operation	Automatic
	Auto On/Off Points	11-1/4" / 4-1/8" (28.6 cm / 10.5 cm)
	Discharge Size	1-1/2" NPT
	Solids Handling	3/8" (9 mm) spherical solids
	Cord Length	10' (3 m) standard
	Cord Type	UL listed, 3-wire, grounded plug
	Max. Head	18' (5.5 m)
	Max. Flow Rate	32 GPM (121 LPM)
	Max. Operating Temp.	104° F (40° C)
	Cooling	Oil filled
	Motor Protection	Auto reset thermal overload
	<b>MATERIALS</b>	Cap
Motor Housing		Cast iron
Pump Housing		Engineered plastic
Base		Engineered plastic
Upper Bearing		Ball bearing
Lower Bearing		Ball bearing
Mechanical Seals		Carbon and ceramic
Impeller Type		Non-clogging vortex
Impeller		Engineered plastic
Hardware		Stainless steel
Gasket	NBR	



SK2635

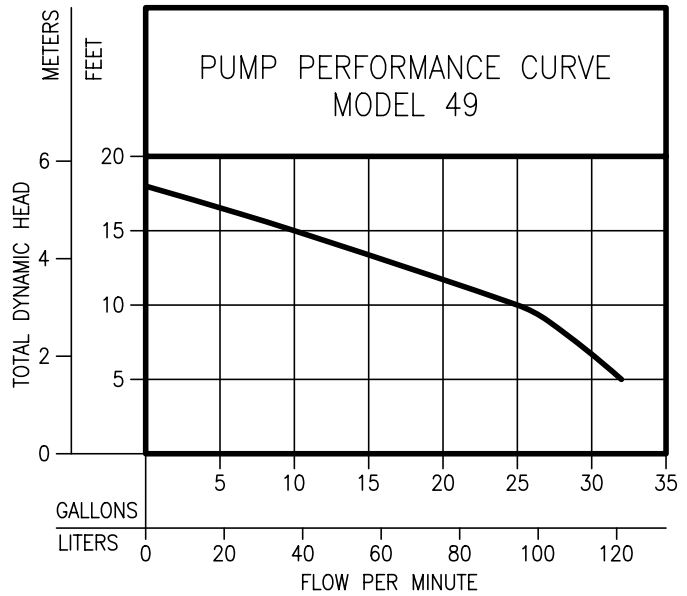
NOTE: See model comparison chart for specific details.



C 227875 US  
Certified to CSA  
Standard C22.2 No. 108

**TOTAL DYNAMIC HEAD  
FLOW PER MINUTE**

MODEL		49	
Feet	Meters	Gal.	Liters
5	1.5	32	121
10	3.0	25	95
15	4.6	10	38
Shut-off Head:		18 ft. (5.5m)	

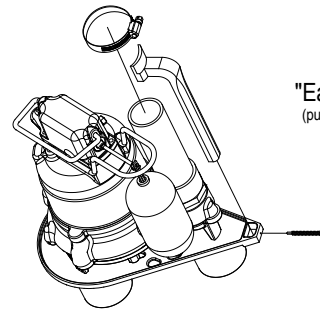


018141

Model	MODEL COMPARISON								
	Seal	Mode	Volts	Ph	Amps	HP	Hz	Lbs	Kg
WM49	Single	Auto	115	1	4.0	1/4	60	11	5

**OPTIONAL PUMP STAND P/N 10-2421**

- Reduces potential clogging by debris
  - Replaces rocks or bricks under the pump
  - Made of durable, noncorrosive ABS
  - Raises pump 2" (5 cm) off bottom of basin
  - Provides the ability to raise intake by adding sections of 1½" or 2" (DN40 or DN50) PVC piping
  - Attaches securely to pump
  - Accommodates sump, dewatering and effluent applications
- NOTE: Make sure float is free from obstruction.



"Easy assembly"  
(pump & discharge pipe  
not included.)